

In preparation for immersion into a solution, the endoscope should first be tested to ensure that it is watertight. This is accomplished using the Endoscope Leak Tester.

- ❑ The Leak Tester connects to the EtO Valve by pushing down and rotating the Leak Tester connector clockwise, until it locks on.
- ❑ When using a Videoscope, ensure that the Video Cable Cap is secured before pressurizing the endoscope.
- ❑ Ensure that the Leak Tester Valve is closed by setting button in the "out" position. Pump the hand bulb of the Leak Tester until the gauge needle reaches **the green zone**. Due to the size of the internal space of the endoscope, two to three pumps of the handle may be required to pressurize the entire chamber. After the first pump, the needle may drop out of the green zone and hold position in the white zone. Continue with additional pumps until the needle no longer drops back into the white zone.



CAUTION: Do Not Over Pressurize the Endoscope by Exceeding the Green Zone.

- ❑ Maintain the pressure for 10 seconds in the **green zone** while the position of the needle is observed. If the needle position falls, the Leak Tester/Endoscope connection may be loose or the Pressure Release Valve on the Leak Tester may be open and should be closed. Repeat procedure to verify.



CAUTION: If the needle falls again, the endoscope has a damaged seal and **SHOULD NOT BE IMMERSIED IN DISINFECTING SOLUTIONS. DO NOT CONTINUE TO USE THE ENDOSCOPE.** Please contact your local distributor or the Cogentix Medical Customer Service Center to arrange for evaluation and/or repair.

- ❑ If the needle position remains steady, immerse the entire Endoscope in water. Observe the Endoscope for 30 seconds. Angulate the Distal Bending Section up and down during this period; holes in the soft covering of the Distal Bending Section may not be evident in a relaxed position. **IF A LEAK IS PRESENT, AIR PRESSURE IN THE ENDOSCOPE WILL PREVENT WATER FROM ENTERING THE ENDOSCOPE AT THE SITE OF THE LEAK.**



CAUTION: A steady stream of air bubbles indicates a small leak in the endoscope not detectable on the Leak Tester gauge. If a leak is detected, the endoscope should not be immersed in solution after the leak test. **DO NOT CONTINUE USE OF THE ENDOSCOPE.** Please contact your local distributor or the Cogentix Medical Customer Service Center to arrange for evaluation and/or repair. Refer to Warranty and Service section of user's manual.

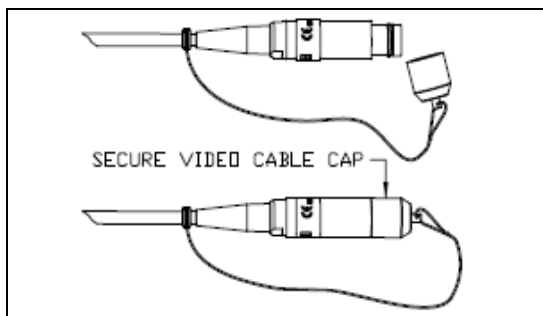


NOTE: Do Not mistake the release of trapped air from the crevices on the Endoscope's outer surface as a leak. Trapped air can be released by tapping the Endoscope gently after immersing the Endoscope in water.

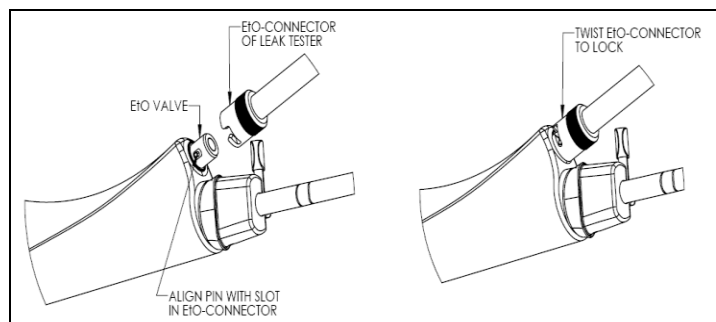


CAUTION: NEVER CONNECT OR DISCONNECT THE LEAK TESTER WHILE UNDER WATER AS THIS WILL CAUSE LEAKAGE INTO THE SCOPE AND LEAK TESTER. NEVER IMMERSE THE ENTIRE LEAK TESTER /GAUGE AREA.

- ❑ Absence of a steady stream of air bubbles confirms the Endoscope is watertight. Remove from the water and depressurize the Endoscope by setting the button to the "in" position and verifying the needle drops to "0" on the gauge. Disconnect the Leak Tester from the Endoscope. The Endoscope can then be safely immersed in cleaning solutions.



Cable Cap Applicable to Videoscopes Only



Leak Tester Connection – Control Body Location



CAUTION: Failure to discharge/depressurize the endoscope after leak testing may place stress on the soft covering of the insertion tube, potentially producing a rolling over of the rubber.



Cogentix Medical, Inc.
 40 Ramland Road South
 Orangeburg, NY 10962 (USA)
 Phone U.S.: (866) 258-2182
 Phone International: (+1) 952-426-6189
 Fax U.S.: (866) 255-4522
 Fax International: (+1) 952-426-6199



MedPass International Ltd.
 Windsor House, Bretforton
 Evesham, Worcestershire
 WR11 7JJ, United Kingdom

For product information or questions pertaining to sales and service, please contact the national distributor or the manufacturer.